

Cassette ceiling(4-way flow)

PLFY-P-VCM-E

**CONTENTS**

1. Specifications ..... 1 -2

2. Capacity Tables ..... 1 -3

    2.1a. Cooling capacity in combination with PUHY,PUY,PURY-P200,250YGM ..... 1 -3

    2.1b. Heating capacity in combination with PUHY,PURY-P200,250YGM ..... 1 -4

    2.2a. Cooling capacity in combination with PUHY,PUY,PURY-P300,350YGM / PUHY,PURY-P400YGM ..... 1 -5

    2.2b. Heating capacity in combination with PUHY,PURY-P300,350,400YGM ..... 1 -6

    2.3a. Cooling capacity in combination with PUHY,PURY-P450,500,550,600,650YGM ..... 1 -7

    2.3b. Heating capacity in combination with PUHY,PURY-P450,500,550,600,650YGM ..... 1 -8

3. Sound Levels ..... 1 -9

    3.1 Noise levels ..... 1 -9

    3.2 NC curves ..... 1 -9

4. External Dimensions ..... 1 -10

5. Electrical Wiring Diagrams ..... 1 -11

6. Temperature/Airflow distribution ..... 1 -12

    6.1 Temperature distribution ..... 1 -12

    6.2 Airflow distribution ..... 1 -12

Model Name	20	25	32	40	50	63	71	80	100	125	140	200	250
PLFY-P-VCM-E	●	●	●	●									

# 1. Specifications

**PLFY-P-VCM-E**

Model			PLFY-P20VCM-E	PLFY-P25VCM-E	PLFY-P32VCM-E	PLFY-P40VCM-E	
Power source			1-phase 220-240V 50Hz				
Cooling capacity (Nominal)	*1	kW	2.2	2.8	3.6	4.5	
		kcal / h	1,900	2,400	3,100	3,900	
		Btu / h	7,510	9,550	12,280	15,350	
	*2	kcal / h	2,000	2,500	3,150	4,000	
		Power input kW	0.05	0.05	0.06	0.06	
Current input		A	0.23	0.23	0.28	0.28	
Heating capacity (Nominal )	*3	kW	2.5	3.2	4.0	5.0	
		kcal / h	2,200	2,800	3,400	4,300	
		Btu / h	8,500	10,900	13,600	17,100	
	Power input	kW	0.05	0.05	0.06	0.06	
		Current input	A	0.23	0.23	0.28	0.28
External finish			Galvanized steel sheet, with grey heat insulation				
External dimension H x W x D		mm	208 x 570 x 570	208 x 570 x 570	208 x 570 x 570	208 x 570 x 570	
		in.	8-1/4" x 22-1/2" x 22-1/2"	8-1/4" x 22-1/2" x 22-1/2"	8-1/4" x 22-1/2" x 22-1/2"	8-1/4" x 22-1/2" x 22-1/2"	
Net weight		kg (lb)	15.5 (35)	15.5 (35)	17 (38)	17 (38)	
Decoration panel	Model		SLP-2AA	SLP-2AA	SLP-2AA	SLP-2AA	
	External finish		White Munsell(0.7Y 8.59/0.97)				
	Dimension		mm	20 x 650 x 650	20 x 650 x 650	20 x 650 x 650	20 x 650 x 650
	H x W x D		in.	13/16" x 25-5/8" x 25-5/8"	13/16" x 25-5/8" x 25-5/8"	13/16" x 25-5/8" x 25-5/8"	13/16" x 25-5/8" x 25-5/8"
	Net Weight		kg (lb)	3 (7)	3 (7)	3 (7)	3 (7)
Coad heater		kW	0.015	0.015	0.015	0.015	
Heat exchanger			Cross fin & copper tube				
FAN	Type x Quantity		Turbo fan x 1				
	External static press.		0Pa (0mmH <sub>2</sub> O)	0Pa (0mmH <sub>2</sub> O)	0Pa (0mmH <sub>2</sub> O)	0Pa (0mmH <sub>2</sub> O)	
	Motor type		Single phase induction motor				
	Motor output		kW	0.011	0.015	0.02	0.02
	Driving mechanism		Direct-driven by motor				
	Airflow rate		m <sup>3</sup> / min	10-9-8	10-9-8	11-9-8	11-9-8
L / s			167-150-133	167-150-133	183-150-133	183-150-133	
cfm			353-318-283	353-318-283	388-318-283	388-318-283	
Noise level (Low-Mid-High) (measured in anechoic room)		dB <A>	35-31-28 (230V)	37-31-28 (230V)	38-33-29 (230V)	39-34-30 (230V)	
Insulation material			Polyethylene foam (softlon FR)				
Air filter			PP honeycomb fabric (long life type)				
Protection device			Fuse				
Refrigerant control device			LEV				
Connectable outdoor unit			R410A, R407C, R22 CITY MULTI				
Diameter of refrigerant pipe	Liquid	mm (in.)	ø6.35 (ø1/4") Flare	ø6.35 (ø1/4") Flare	ø6.35 (ø1/4") Flare	ø6.35 (ø1/4") Flare	
	Gas	mm (in.)	ø12.7 (ø1/2") Flare	ø12.7 (ø1/2") Flare	ø12.7 (ø1/2") Flare	ø12.7 (ø1/2") Flare	
Diameter of drain pipe		mm (in.)	O.D. 32 (1-1/4")	O.D. 32 (1-1/4")	O.D. 32 (1-1/4")	O.D. 32 (1-1/4")	
Drawing	External		IU-VRG01N654				
	Wiring		IU-VRG79N625				
	Refrigerant circle		-				
Standard attachment	Document		Installation manual, Instruction book				
	Accessory		Drain hose VP-25 (flexible joint)				
Remark	Optional parts		OA duct flange : PAC-KH11OF Decoration panel : SLP-2AA *PLFY-P-VCM-E should use together with SLP-2AA.				
	Installation		Details on foundation work, duct work, insulation work, electrical wiring, power source switch, and other items shall be referred to the Installation Manual.				
<b>Note :</b>			*1 Nominal cooling condition	*2 Nominal cooling condition	*3 Nominal heating condition	Unit convertor	
Indoor :			27°CDB/19°CWB (81°FDB/66°FWB)	27°CDB/19.5°CWB (81°FDB/67°FWB)	20°CDB (68°FDB)	kcal = kW x 860	
Outdoor :			35°CDB (95°FDB)	35°CDB (95°FDB)	7°CDB/6°CWB (45°FDB/43°FWB)	Btu/h = kW x 3,412	
Pipe length :			7.5 m (24-9/16 ft)	5 m (16-3/8 ft)	7.5 m (24-9/16 ft)	cfm = m <sup>3</sup> /min x 35.31	
Level difference :			0 m (0 ft)	0 m (0 ft)	0 m (0 ft)	lb = kg / 0.4536	
* Nominal conditions *1, *3 are subject to JIS B8615-1.							
* Due to continuing improvement, above specification may be subject to change without notice.							

## 2. Capacity Tables

### 2.1a. Cooling capacity in combination with PUHY,PUY,PURY-P200,250YGM

CA :Capacity(kW)  
SHC:Sensible Heat Capacity(kW)

#### PLFY-P-VCM-E

Unit size (Rated kW)	Outdoor air temp.	Indoor air temp.													
		21.5°CDB 15°CWB		23°CDB 16°CWB		25°CDB 18°CWB		27°CDB 19°CWB		28°CDB 20°CWB		30°CDB 22°CWB		32°CDB 24°CWB	
		°CDB	CA	SHC	CA	SHC	CA	SHC	CA	SHC	CA	SHC	CA	SHC	CA
20 (2.2)	20.0	2.1	1.8	2.2	1.9	2.3	1.8	2.4	1.9	2.5	2.0	2.6	1.9	2.8	1.9
	22.5	2.1	1.8	2.2	1.9	2.3	1.8	2.4	1.9	2.5	2.0	2.6	1.9	2.8	1.9
	25.0	2.1	1.8	2.2	1.9	2.3	1.8	2.4	1.9	2.4	1.9	2.6	1.9	2.7	1.9
	27.5	2.1	1.8	2.1	1.8	2.3	1.8	2.3	1.9	2.4	1.9	2.5	1.9	2.7	1.9
	30.0	2.0	1.8	2.1	1.8	2.2	1.8	2.3	1.8	2.3	1.9	2.5	1.9	2.6	1.9
	32.5	2.0	1.7	2.1	1.8	2.2	1.8	2.2	1.8	2.3	1.9	2.4	1.9	2.6	1.8
	35.0	2.0	1.7	2.0	1.8	2.1	1.8	2.2	1.8	2.3	1.9	2.4	1.9	2.5	1.8
	37.5	1.9	1.7	2.0	1.8	2.1	1.8	2.1	1.8	2.2	1.9	2.3	1.8	2.5	1.8
	40.0	1.9	1.7	1.9	1.8	2.1	1.7	2.1	1.8	2.2	1.9	2.3	1.8	2.4	1.8
43.0	1.8	1.7	1.9	1.7	2.0	1.7	2.0	1.8	2.1	1.8	2.2	1.8	2.4	1.8	
25 (2.8)	20.0	2.7	2.1	2.8	2.2	2.9	2.2	3.0	2.2	3.1	2.3	3.3	2.3	3.5	2.3
	22.5	2.7	2.1	2.8	2.2	2.9	2.2	3.0	2.2	3.1	2.3	3.3	2.3	3.5	2.3
	25.0	2.7	2.1	2.8	2.2	2.9	2.2	3.0	2.2	3.1	2.3	3.3	2.3	3.5	2.3
	27.5	2.6	2.1	2.7	2.2	2.9	2.2	3.0	2.2	3.1	2.3	3.2	2.3	3.4	2.2
	30.0	2.6	2.1	2.7	2.2	2.8	2.2	2.9	2.2	3.0	2.3	3.1	2.2	3.3	2.2
	32.5	2.5	2.1	2.6	2.2	2.8	2.1	2.8	2.2	2.9	2.3	3.1	2.2	3.3	2.2
	35.0	2.5	2.1	2.6	2.1	2.7	2.1	2.8	2.1	2.9	2.2	3.0	2.2	3.2	2.2
	37.5	2.5	2.0	2.5	2.1	2.7	2.1	2.7	2.1	2.8	2.2	3.0	2.2	3.1	2.1
	40.0	2.4	2.0	2.5	2.1	2.6	2.1	2.7	2.1	2.8	2.2	2.9	2.1	3.1	2.1
43.0	2.4	2.0	2.4	2.1	2.6	2.0	2.6	2.1	2.7	2.2	2.8	2.1	3.0	2.1	
32 (3.6)	20.0	3.4	2.6	3.5	2.7	3.8	2.7	3.9	2.7	4.0	2.8	4.2	2.8	4.6	2.8
	22.5	3.4	2.6	3.5	2.7	3.8	2.7	3.9	2.7	4.0	2.8	4.2	2.8	4.6	2.8
	25.0	3.4	2.6	3.5	2.7	3.8	2.7	3.9	2.7	4.0	2.8	4.2	2.8	4.5	2.7
	27.5	3.4	2.6	3.5	2.7	3.7	2.6	3.8	2.7	3.9	2.8	4.1	2.7	4.4	2.7
	30.0	3.3	2.6	3.4	2.6	3.6	2.6	3.7	2.7	3.8	2.7	4.0	2.7	4.3	2.7
	32.5	3.3	2.5	3.4	2.6	3.6	2.6	3.7	2.6	3.8	2.7	4.0	2.7	4.2	2.6
	35.0	3.2	2.5	3.3	2.6	3.5	2.6	3.6	2.6	3.7	2.7	3.9	2.6	4.1	2.6
	37.5	3.2	2.5	3.2	2.6	3.4	2.5	3.5	2.6	3.6	2.7	3.8	2.6	4.0	2.6
	40.0	3.1	2.5	3.2	2.5	3.4	2.5	3.5	2.5	3.6	2.6	3.7	2.6	4.0	2.6
43.0	3.0	2.4	3.1	2.5	3.3	2.5	3.3	2.5	3.5	2.6	3.6	2.6	3.9	2.5	
40 (4.5)	20.0	4.3	3.0	4.4	3.1	4.7	3.1	4.9	3.1	5.0	3.3	5.3	3.2	5.7	3.2
	22.5	4.3	3.0	4.4	3.1	4.7	3.1	4.9	3.1	5.0	3.3	5.3	3.2	5.7	3.2
	25.0	4.3	3.0	4.4	3.1	4.7	3.1	4.9	3.1	5.0	3.2	5.3	3.2	5.6	3.1
	27.5	4.3	3.0	4.4	3.1	4.6	3.1	4.8	3.1	4.9	3.2	5.2	3.2	5.5	3.1
	30.0	4.2	3.0	4.3	3.1	4.6	3.0	4.7	3.1	4.8	3.2	5.0	3.1	5.4	3.1
	32.5	4.1	3.0	4.2	3.0	4.5	3.0	4.6	3.0	4.7	3.1	5.0	3.1	5.3	3.0
	35.0	4.0	2.9	4.1	3.0	4.4	3.0	4.5	3.0	4.6	3.1	4.9	3.0	5.2	3.0
	37.5	3.9	2.9	4.1	3.0	4.3	2.9	4.4	2.9	4.5	3.1	4.8	3.0	5.0	2.9
	40.0	3.9	2.8	4.0	2.9	4.2	2.9	4.3	2.9	4.5	3.0	4.7	3.0	5.0	2.9
43.0	3.8	2.8	3.9	2.9	4.1	2.8	4.2	2.9	4.3	3.0	4.5	2.9	4.8	2.9	

**PLFY-P-VCM-E**

## 2.1b. Heating capacity in combination with PUHY,PURY-P200,250YGM

### PLFY-P-VCM-E

SHC:Sensible Heat Capacity(kW)

Unit size (Rated kW)	Outdoor air temp.	Indoor air temp.:°CDB			
		15.0	20.0	25.0	27.0
	°CWB	SHC	SHC	SHC	SHC
20 (2.2)	-20.0	1.3	1.3	1.3	1.3
	-15.0	1.6	1.5	1.5	1.5
	-10.0	1.8	1.8	1.8	1.7
	-5.0	2.1	2.1	2.0	1.8
	0.0	2.4	2.4	2.0	1.8
	2.5	2.5	2.5	2.0	1.8
	6.0	2.6	2.5	2.0	1.8
	7.5	2.7	2.5	2.0	1.8
	10.0	2.9	2.5	2.0	1.8
	12.5	3.0	2.5	2.0	1.8
15.5	3.2	2.5	2.0	1.8	
25 (2.8)	-20.0	1.6	1.6	1.6	1.6
	-15.0	2.0	2.0	1.9	1.9
	-10.0	2.3	2.3	2.2	2.2
	-5.0	2.7	2.7	2.6	2.2
	0.0	3.0	3.0	2.6	2.2
	2.5	3.2	3.2	2.6	2.2
	6.0	3.3	3.2	2.6	2.2
	7.5	3.4	3.2	2.6	2.2
	10.0	3.6	3.2	2.6	2.2
	12.5	3.9	3.2	2.6	2.2
15.5	4.1	3.2	2.6	2.2	
32 (3.6)	-20.0	2.1	2.0	2.0	2.0
	-15.0	2.5	2.4	2.4	2.4
	-10.0	2.9	2.9	2.8	2.7
	-5.0	3.4	3.3	3.2	2.8
	0.0	3.8	3.8	3.2	2.8
	2.5	4.0	4.0	3.2	2.8
	6.0	4.2	4.0	3.2	2.8
	7.5	4.3	4.0	3.2	2.8
	10.0	4.6	4.0	3.2	2.8
	12.5	4.8	4.0	3.2	2.8
15.5	5.1	4.0	3.2	2.8	
40 (4.5)	-20.0	2.6	2.5	2.5	2.5
	-15.0	3.1	3.1	3.0	3.0
	-10.0	3.7	3.6	3.5	3.4
	-5.0	4.2	4.2	4.0	3.5
	0.0	4.7	4.7	4.0	3.5
	2.5	5.0	5.0	4.0	3.5
	6.0	5.2	5.0	4.0	3.5
	7.5	5.4	5.0	4.0	3.5
	10.0	5.7	5.0	4.0	3.5
	12.5	6.0	5.0	4.0	3.5
15.5	6.4	5.0	4.0	3.5	

**PLFY-P-VCM-E**

## 2.2a. Cooling capacity in combination with PUHY,PUY,PURY-P300,350YGM / PUHY,PURY-P400YGM

### PLFY-P-VCM-E

CA :Capacity(kW)  
SHC:Sensible Heat Capacity(kW)

Unit size (Rated kW)	Outdoor air temp. °CDB	Indoor air temp.													
		21.5°CDB 15°CWB		23°CDB 16°CWB		25°CDB 18°CWB		27°CDB 19°CWB		28°CDB 20°CWB		30°CDB 22°CWB		32°CDB 24°CWB	
		CA	SHC	CA	SHC	CA	SHC	CA	SHC	CA	SHC	CA	SHC	CA	SHC
20 (2.2)	20.0	2.1	1.8	2.2	1.9	2.4	1.9	2.5	1.9	2.5	2.0	2.7	2.0	2.9	1.9
	22.5	2.1	1.8	2.2	1.9	2.3	1.9	2.4	1.9	2.5	2.0	2.6	1.9	2.8	1.9
	25.0	2.1	1.8	2.2	1.8	2.3	1.8	2.4	1.9	2.4	2.0	2.6	1.9	2.8	1.9
	27.5	2.1	1.8	2.1	1.8	2.3	1.8	2.3	1.9	2.4	1.9	2.5	1.9	2.7	1.9
	30.0	2.0	1.8	2.1	1.8	2.2	1.8	2.3	1.8	2.4	1.9	2.5	1.9	2.6	1.9
	32.5	2.0	1.7	2.0	1.8	2.2	1.8	2.2	1.8	2.3	1.9	2.4	1.9	2.6	1.9
	35.0	2.0	1.7	2.0	1.8	2.1	1.8	2.2	1.8	2.3	1.9	2.4	1.9	2.5	1.8
	37.5	1.9	1.7	1.9	1.8	2.1	1.7	2.1	1.8	2.2	1.9	2.4	1.8	2.5	1.8
	40.0	1.9	1.7	1.9	1.7	2.0	1.7	2.1	1.8	2.4	1.9	2.3	1.8	2.4	1.8
43.0	1.8	1.7	1.8	1.7	2.0	1.7	2.0	1.8	2.1	1.8	2.2	1.8	2.4	1.8	
25 (2.8)	20.0	2.7	2.2	2.8	2.2	3.0	2.2	3.1	2.3	3.2	2.4	3.4	2.3	3.6	2.3
	22.5	2.7	2.2	2.8	2.2	3.0	2.2	3.1	2.3	3.2	2.4	3.4	2.3	3.6	2.3
	25.0	2.7	2.1	2.7	2.2	2.9	2.2	3.0	2.2	3.1	2.3	3.3	2.3	3.5	2.3
	27.5	2.6	2.1	2.7	2.2	2.9	2.2	3.0	2.2	3.1	2.3	3.2	2.3	3.4	2.2
	30.0	2.6	2.1	2.6	2.2	2.8	2.1	2.9	2.2	3.0	2.3	3.2	2.3	3.4	2.2
	32.5	2.5	2.1	2.6	2.1	2.8	2.1	2.9	2.2	2.9	2.3	3.1	2.2	3.3	2.2
	35.0	2.5	2.1	2.5	2.1	2.7	2.1	2.8	2.1	2.9	2.2	3.1	2.2	3.2	2.2
	37.5	2.5	2.0	2.5	2.1	2.6	2.1	2.7	2.1	2.8	2.2	3.0	2.2	3.2	2.2
	40.0	2.4	2.0	2.4	2.1	2.6	2.1	2.7	2.1	3.0	2.3	2.9	2.2	3.1	2.1
43.0	2.4	2.0	2.4	2.0	2.5	2.0	2.6	2.1	2.7	2.2	2.8	2.1	3.0	2.1	
32 (3.6)	20.0	3.5	2.6	3.6	2.7	3.9	2.7	4.0	2.8	4.2	2.9	4.4	2.8	4.7	2.8
	22.5	3.5	2.6	3.6	2.7	3.8	2.7	4.0	2.7	4.1	2.9	4.3	2.8	4.6	2.8
	25.0	3.4	2.6	3.5	2.7	3.8	2.7	3.9	2.7	4.0	2.8	4.2	2.8	4.5	2.7
	27.5	3.4	2.6	3.5	2.7	3.7	2.6	3.8	2.7	3.9	2.8	4.2	2.8	4.4	2.7
	30.0	3.3	2.6	3.4	2.6	3.6	2.6	3.7	2.7	3.9	2.8	4.1	2.7	4.3	2.7
	32.5	3.3	2.5	3.3	2.6	3.5	2.6	3.7	2.6	3.8	2.7	4.0	2.7	4.2	2.6
	35.0	3.2	2.5	3.3	2.6	3.5	2.5	3.6	2.6	3.7	2.7	3.9	2.7	4.2	2.6
	37.5	3.2	2.5	3.2	2.5	3.4	2.5	3.5	2.6	3.6	2.7	3.9	2.6	4.1	2.6
	40.0	3.1	2.5	3.1	2.5	3.3	2.5	3.4	2.5	3.9	2.8	3.8	2.6	4.0	2.6
43.0	3.0	2.4	3.0	2.5	3.2	2.4	3.3	2.5	3.4	2.6	3.7	2.6	3.9	2.5	
40 (4.5)	20.0	4.4	3.1	4.5	3.2	4.9	3.2	5.0	3.2	5.2	3.3	5.5	3.3	5.9	3.3
	22.5	4.3	3.1	4.5	3.2	4.8	3.2	5.0	3.2	5.1	3.3	5.4	3.3	5.7	3.2
	25.0	4.3	3.1	4.4	3.1	4.7	3.1	4.9	3.1	5.0	3.3	5.3	3.2	5.6	3.2
	27.5	4.2	3.0	4.3	3.1	4.6	3.1	4.8	3.1	4.9	3.2	5.2	3.2	5.5	3.1
	30.0	4.1	3.0	4.2	3.0	4.5	3.0	4.7	3.1	4.8	3.2	5.1	3.1	5.4	3.1
	32.5	4.1	2.9	4.2	3.0	4.4	3.0	4.6	3.0	4.7	3.1	5.0	3.1	5.3	3.0
	35.0	4.0	2.9	4.1	3.0	4.3	2.9	4.5	3.0	4.6	3.1	4.9	3.1	5.2	3.0
	37.5	4.0	2.9	4.0	2.9	4.3	2.9	4.4	2.9	4.5	3.1	4.8	3.0	5.1	3.0
	40.0	3.9	2.9	3.9	2.9	4.2	2.9	4.3	2.9	4.9	3.2	4.7	3.0	5.0	2.9
43.0	3.8	2.8	3.8	2.8	4.1	2.8	4.2	2.9	4.3	3.0	4.6	2.9	4.8	2.9	

**PLFY-P-VCM-E**

## 2.2b. Heating capacity in combination with PUHY,PURY-P300,350,400YGM

### PLFY-P-VCM-E

SHC:Sensible Heat Capacity(kW)

Unit size (Rated kW)	Outdoor air temp. °CWB	Indoor air temp.:°CDB			
		15.0 SHC	20.0 SHC	25.0 SHC	27.0 SHC
20 (2.2)	-20.0	1.3	1.3	1.3	1.2
	-15.0	1.5	1.5	1.5	1.5
	-10.0	1.8	1.8	1.7	1.6
	-5.0	2.0	2.0	1.9	1.6
	0.0	2.3	2.3	1.9	1.6
	2.5	2.4	2.4	1.9	1.6
	6.0	2.6	2.5	1.9	1.6
	7.5	2.7	2.5	1.9	1.6
	10.0	2.8	2.5	1.9	1.6
	12.5	2.9	2.5	1.9	1.6
15.5	2.9	2.5	1.9	1.6	
25 (2.8)	-20.0	1.7	1.6	1.6	1.5
	-15.0	1.9	1.9	1.9	1.9
	-10.0	2.2	2.2	2.2	2.0
	-5.0	2.6	2.6	2.4	2.0
	0.0	2.9	2.9	2.4	2.0
	2.5	3.1	3.0	2.4	2.0
	6.0	3.3	3.2	2.4	2.0
	7.5	3.4	3.2	2.4	2.0
	10.0	3.5	3.2	2.4	2.0
	12.5	3.7	3.2	2.4	2.0
15.5	3.7	3.2	2.4	2.0	
32 (3.6)	-20.0	2.1	2.0	2.0	1.9
	-15.0	2.4	2.4	2.4	2.3
	-10.0	2.8	2.8	2.7	2.6
	-5.0	3.2	3.2	3.0	2.6
	0.0	3.6	3.6	3.0	2.6
	2.5	3.8	3.8	3.0	2.6
	6.0	4.1	4.0	3.0	2.6
	7.5	4.2	4.0	3.0	2.6
	10.0	4.4	4.0	3.0	2.6
	12.5	4.6	4.0	3.0	2.6
15.5	4.6	4.0	3.0	2.6	
40 (4.5)	-20.0	2.6	2.5	2.5	2.4
	-15.0	3.0	3.0	3.0	2.9
	-10.0	3.5	3.5	3.4	3.2
	-5.0	4.0	4.0	3.8	3.2
	0.0	4.5	4.5	3.8	3.2
	2.5	4.8	4.7	3.8	3.2
	6.0	5.1	5.0	3.8	3.2
	7.5	5.3	5.0	3.8	3.2
	10.0	5.5	5.0	3.8	3.2
	12.5	5.8	5.0	3.8	3.2
15.5	5.8	5.0	3.8	3.2	

**PLFY-P-VCM-E**

## 2.3a. Cooling capacity in combination with PUHY,PURY-P450,500,550,600,650YGM

### PLFY-P-VCM-E

CA :Capacity(kW)  
SHC:Sensible Heat Capacity(kW)

Unit size (Rated kW)	Outdoor air temp. °CDB	Indoor air temp.													
		21.5°CDB 15°CWB		23°CDB 16°CWB		25°CDB 18°CWB		27°CDB 19°CWB		28°CDB 20°CWB		30°CDB 22°CWB		32°CDB 24°CWB	
		CA	SHC	CA	SHC	CA	SHC	CA	SHC	CA	SHC	CA	SHC	CA	SHC
20 (2.2)	20.0	2.1	1.8	2.1	1.8	2.3	1.8	2.4	1.9	2.5	2.0	2.6	1.9	2.8	1.9
	22.5	2.1	1.8	2.1	1.8	2.3	1.8	2.3	1.9	2.4	1.9	2.6	1.9	2.7	1.9
	25.0	2.0	1.8	2.1	1.8	2.2	1.8	2.3	1.9	2.4	1.9	2.6	1.9	2.7	1.9
	27.5	2.0	1.8	2.1	1.8	2.2	1.8	2.3	1.8	2.4	1.9	2.5	1.9	2.6	1.9
	30.0	2.0	1.7	2.0	1.8	2.2	1.8	2.3	1.8	2.4	1.9	2.5	1.9	2.7	1.9
	32.5	2.0	1.7	2.0	1.8	2.2	1.8	2.2	1.8	2.3	1.9	2.5	1.9	2.6	1.9
	35.0	2.0	1.7	2.0	1.8	2.1	1.8	2.2	1.8	2.3	1.9	2.5	1.9	2.6	1.9
	37.5	1.9	1.7	2.0	1.8	2.1	1.8	2.2	1.8	2.3	1.9	2.4	1.9	2.6	1.9
	40.0	1.9	1.7	1.9	1.8	2.1	1.8	2.1	1.8	2.2	1.9	2.4	1.9	2.6	1.8
43.0	1.9	1.7	1.9	1.7	2.1	1.7	2.1	1.8	2.2	1.9	2.4	1.9	2.6	1.8	
25 (2.8)	20.0	2.6	2.1	2.7	2.2	2.9	2.2	3.0	2.2	3.1	2.3	3.3	2.3	3.5	2.3
	22.5	2.6	2.1	2.7	2.2	2.9	2.2	3.0	2.2	3.1	2.3	3.3	2.3	3.5	2.3
	25.0	2.6	2.1	2.7	2.2	2.9	2.2	2.9	2.2	3.1	2.3	3.2	2.3	3.5	2.2
	27.5	2.6	2.1	2.6	2.2	2.8	2.2	2.9	2.2	3.0	2.3	3.2	2.3	3.4	2.2
	30.0	2.5	2.1	2.6	2.1	2.8	2.1	2.9	2.2	3.0	2.3	3.2	2.3	3.4	2.2
	32.5	2.5	2.1	2.6	2.1	2.7	2.1	2.8	2.2	3.0	2.3	3.2	2.2	3.4	2.2
	35.0	2.5	2.1	2.5	2.1	2.7	2.1	2.8	2.1	2.9	2.2	3.1	2.2	3.3	2.2
	37.5	2.5	2.0	2.5	2.1	2.7	2.1	2.8	2.1	2.9	2.2	3.1	2.2	3.3	2.2
	40.0	2.4	2.0	2.5	2.1	2.7	2.1	2.7	2.1	2.9	2.2	3.1	2.2	3.3	2.2
43.0	2.4	2.0	2.5	2.1	2.6	2.1	2.7	2.1	2.8	2.2	3.0	2.2	3.2	2.2	
32 (3.6)	20.0	3.4	2.6	3.5	2.7	3.7	2.7	3.9	2.7	4.0	2.8	4.2	2.8	4.5	2.8
	22.5	3.4	2.6	3.5	2.7	3.7	2.6	3.8	2.7	4.0	2.8	4.2	2.8	4.5	2.7
	25.0	3.3	2.6	3.4	2.6	3.7	2.6	3.8	2.7	3.9	2.8	4.2	2.8	4.4	2.7
	27.5	3.3	2.6	3.4	2.6	3.6	2.6	3.7	2.7	3.9	2.8	4.1	2.7	4.3	2.7
	30.0	3.3	2.5	3.3	2.6	3.6	2.6	3.7	2.6	3.9	2.8	4.1	2.7	4.4	2.7
	32.5	3.2	2.5	3.3	2.6	3.5	2.6	3.6	2.6	3.8	2.7	4.1	2.7	4.3	2.7
	35.0	3.2	2.5	3.3	2.6	3.5	2.6	3.6	2.6	3.7	2.7	4.0	2.7	4.3	2.7
	37.5	3.2	2.5	3.2	2.5	3.5	2.5	3.5	2.6	3.7	2.7	4.0	2.7	4.2	2.6
	40.0	3.1	2.5	3.2	2.5	3.4	2.5	3.5	2.6	3.7	2.7	4.0	2.7	4.2	2.6
43.0	3.1	2.5	3.2	2.5	3.4	2.5	3.5	2.5	3.6	2.7	3.9	2.6	4.2	2.6	
40 (4.5)	20.0	4.3	3.0	4.4	3.1	4.7	3.1	4.8	3.1	5.0	3.3	5.3	3.2	5.7	3.2
	22.5	4.2	3.0	4.3	3.1	4.6	3.1	4.8	3.1	5.0	3.2	5.3	3.2	5.6	3.2
	25.0	4.2	3.0	4.3	3.1	4.6	3.1	4.7	3.1	4.9	3.2	5.2	3.2	5.6	3.1
	27.5	4.1	3.0	4.2	3.0	4.5	3.0	4.7	3.1	4.9	3.2	5.2	3.2	5.4	3.1
	30.0	4.1	3.0	4.2	3.0	4.5	3.0	4.6	3.0	4.8	3.2	5.1	3.1	5.4	3.1
	32.5	4.1	2.9	4.1	3.0	4.4	3.0	4.5	3.0	4.8	3.2	5.1	3.1	5.4	3.1
	35.0	4.0	2.9	4.1	3.0	4.4	3.0	4.5	3.0	4.7	3.1	5.0	3.1	5.4	3.1
	37.5	4.0	2.9	4.0	2.9	4.3	2.9	4.4	3.0	4.7	3.1	5.0	3.1	5.3	3.0
	40.0	3.9	2.9	4.0	2.9	4.3	2.9	4.4	2.9	4.6	3.1	5.0	3.1	5.3	3.0
43.0	3.9	2.8	3.9	2.9	4.2	2.9	4.3	2.9	4.5	3.1	4.9	3.0	5.2	3.0	

**PLFY-P-VCM-E**

## 2.3b. Heating capacity in combination with PUHY,PURY-P450,500,550,600,650YGM

### PLFY-P-VCM-E

SHC:Sensible Heat Capacity(kW)

Unit size (Rated kW)	Outdoor air temp. °CWB	Indoor air temp.:°CDB			
		15.0 SHC	20.0 SHC	25.0 SHC	27.0 SHC
20 (2.2)	-20.0	1.3	1.3	1.3	1.3
	-15.0	1.6	1.5	1.5	1.5
	-10.0	1.8	1.8	1.7	1.7
	-5.0	2.1	2.0	1.9	1.8
	0.0	2.3	2.3	2.0	1.8
	2.5	2.4	2.4	2.0	1.8
	6.0	2.6	2.5	2.0	1.8
	7.5	2.7	2.5	2.0	1.8
	10.0	2.8	2.5	2.0	1.8
	12.5	2.9	2.5	2.0	1.8
15.5	2.9	2.5	2.0	1.8	
25 (2.8)	-20.0	1.7	1.6	1.6	1.6
	-15.0	2.0	1.9	1.9	1.9
	-10.0	2.3	2.2	2.2	2.1
	-5.0	2.6	2.6	2.5	2.3
	0.0	2.9	2.9	2.5	2.3
	2.5	3.1	3.0	2.5	2.3
	6.0	3.3	3.2	2.5	2.3
	7.5	3.4	3.2	2.5	2.3
	10.0	3.6	3.2	2.5	2.3
	12.5	3.7	3.2	2.5	2.3
15.5	3.7	3.2	2.5	2.3	
32 (3.6)	-20.0	2.1	2.0	2.0	2.0
	-15.0	2.5	2.4	2.4	2.3
	-10.0	2.9	2.8	2.7	2.6
	-5.0	3.3	3.2	3.1	2.8
	0.0	3.7	3.6	3.2	2.8
	2.5	3.8	3.8	3.2	2.8
	6.0	4.1	4.0	3.2	2.8
	7.5	4.2	4.0	3.2	2.8
	10.0	4.4	4.0	3.2	2.8
	12.5	4.6	4.0	3.2	2.8
15.5	4.6	4.0	3.2	2.8	
40 (4.5)	-20.0	2.7	2.6	2.6	2.5
	-15.0	3.1	3.0	3.0	2.9
	-10.0	3.6	3.5	3.4	3.3
	-5.0	4.1	4.0	3.9	3.5
	0.0	4.6	4.5	4.0	3.5
	2.5	4.8	4.8	4.0	3.5
	6.0	5.2	5.0	4.0	3.5
	7.5	5.3	5.0	4.0	3.5
	10.0	5.6	5.0	4.0	3.5
	12.5	5.8	5.0	4.0	3.5
15.5	5.8	5.0	4.0	3.5	

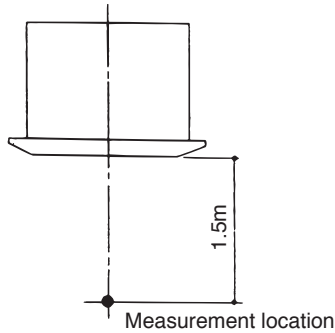
**PLFY-P-VCM-E**



# 3. Sound Levels

## 3.1 Noise levels

Cassette ceiling



Noise level at anechoic room  
(Low-Middle-High)

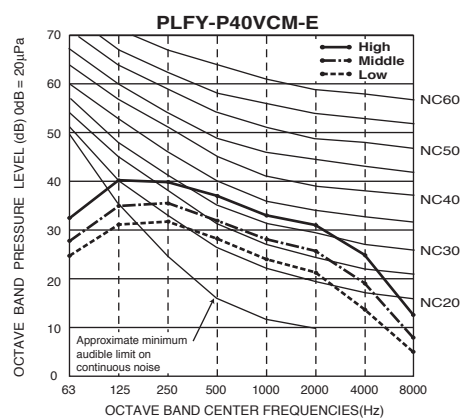
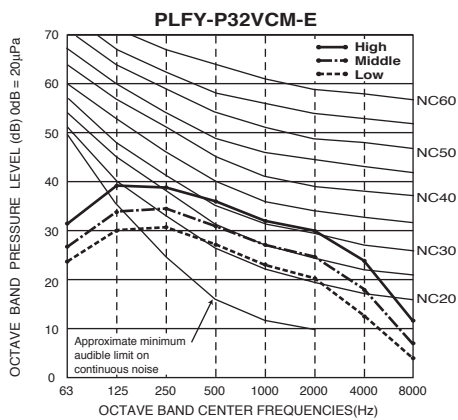
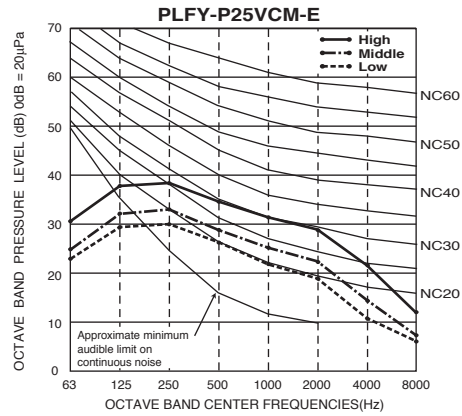
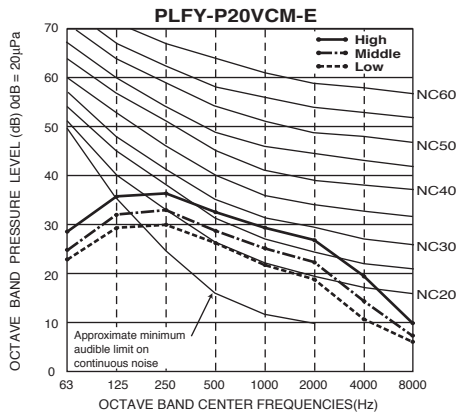
Unit : dB(A)

Model	Noise level (A weighted)
PLFY-P20VCM-E	28-31-35
PLFY-P25VCM-E	28-31-37
PLFY-P32VCM-E	29-33-38
PLFY-P40VCM-E	30-34-39

\* Test subject to JIS Z8731

**PLFY-P-VCM-E**

## 3.2 NC curves

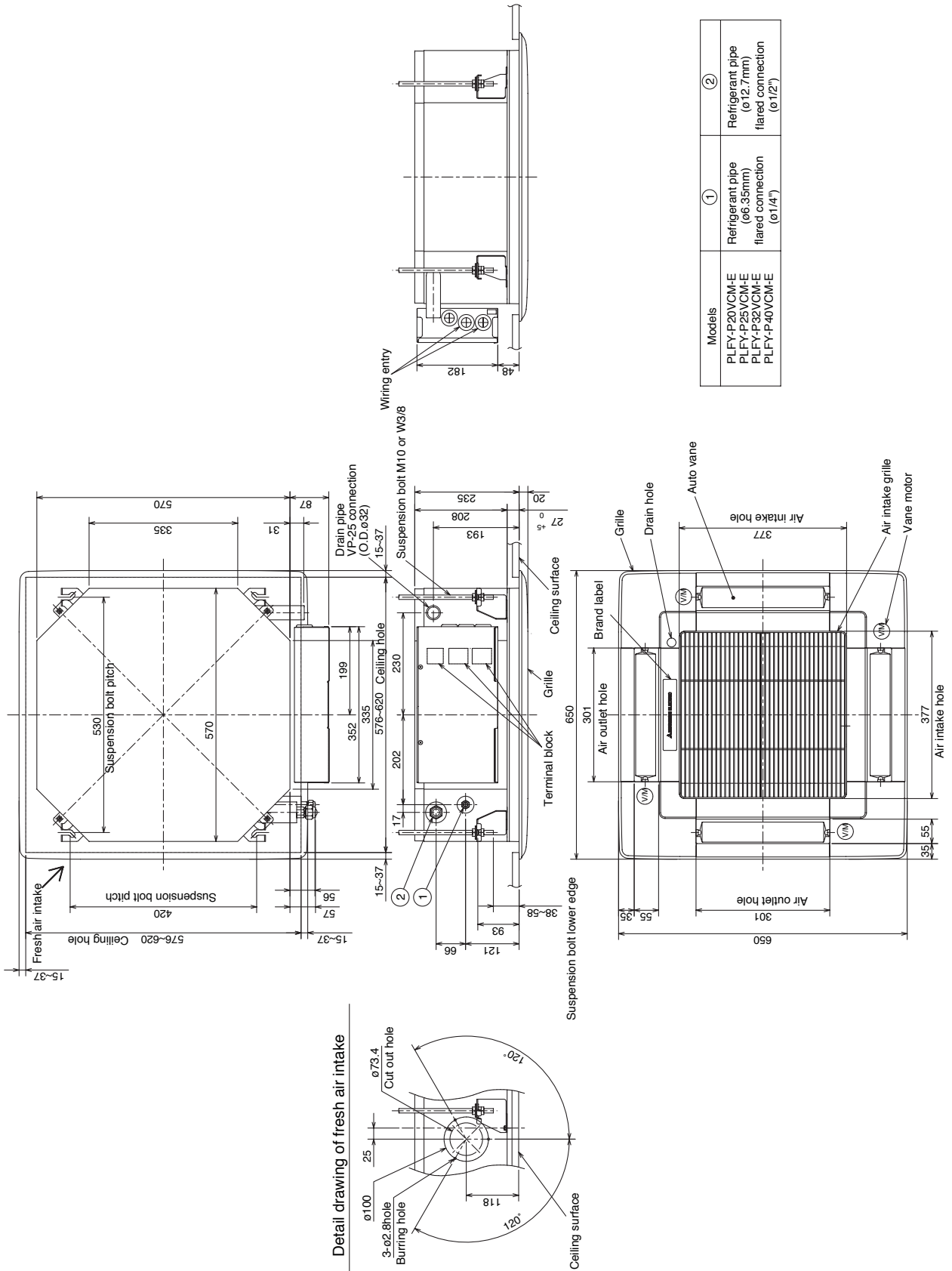


# 4. External Dimensions

**PLFY-P-VCME-E**

PLFY-P20,25,32,40VCM-E

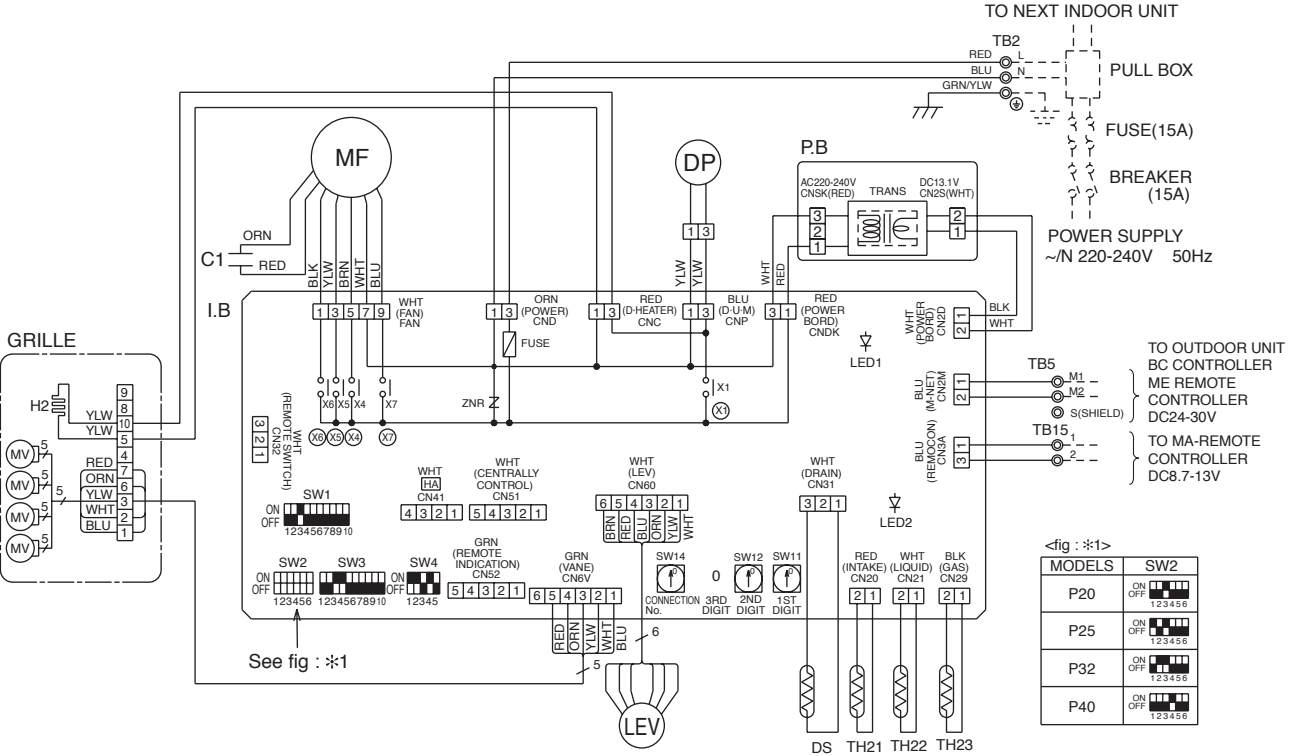
Drw. : IU-VRG01N654  
Unit : mm



# 5. Electrical Wiring Diagrams

## ● PLFY-P20,25,32,40VCM-E

Draw. : IU-VRG79N625



### [ LEGEND ]

SYMBOL	NAME	SYMBOL	NAME
I.B	INDOOR CONTROLLER BOARD	C1	CAPACITOR (FAN MOTOR)
CN32	CONNECTOR	DP	DRAIN WATER LIFTING-UP MACHINE
CN41	CONNECTOR	DS	DRAIN SENSOR
CN51	CONNECTOR	H2	DEW PREVENTION HEATER
CN52	CONNECTOR	LEV	LINEAR EXPANSION VALVE
FUSE	FUSE (6.3A/250V)	MF	FAN MOTOR (WITH THERMAL FUSE)
SW1	SWITCH	MV	VANE MOTOR
SW2	SWITCH	TB2	TERMINAL BLOCK
SW3	SWITCH	TB5	TERMINAL BLOCK
SW4	SWITCH	TB15	TERMINAL BLOCK
SW11	SWITCH	TH21	THERMISTOR
SW12	SWITCH	TH22	THERMISTOR
SW14	SWITCH	TH23	THERMISTOR
X1	AUX. RELAY	P.B	INDOOR POWER BOARD
X4	AUX. RELAY		
X5	AUX. RELAY		
X6	AUX. RELAY		
X7	AUX. RELAY		
ZNR	VARIATOR		

#### Notes:

- At servicing for outdoor unit, always follow the wiring diagram of outdoor unit.
- In case of using MA-Remote controller, please connect to TB15. (Remote controller wire is non-polar.)
- In case of using M-NET, please connect to TB5. (Transmission line is non-polar.)
- Symbol[S] of TB5 is the shield wire connection.
- Symbols used in wiring diagram above are, ⊕ :terminal block, □ :connector.
- The setting of the SW2 dip switches differs in the capacity for the detail, refer to the fig : \*1.

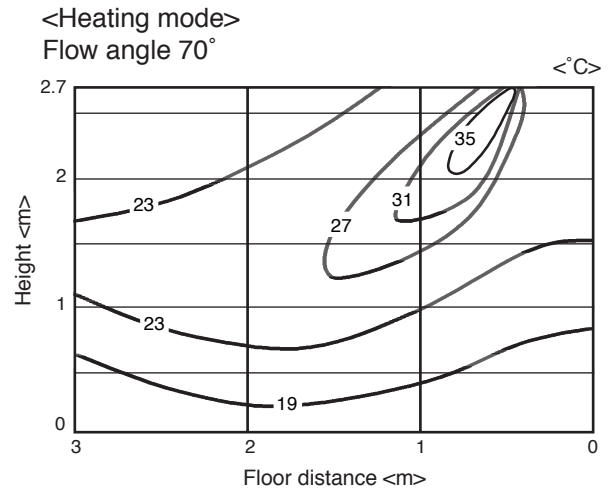
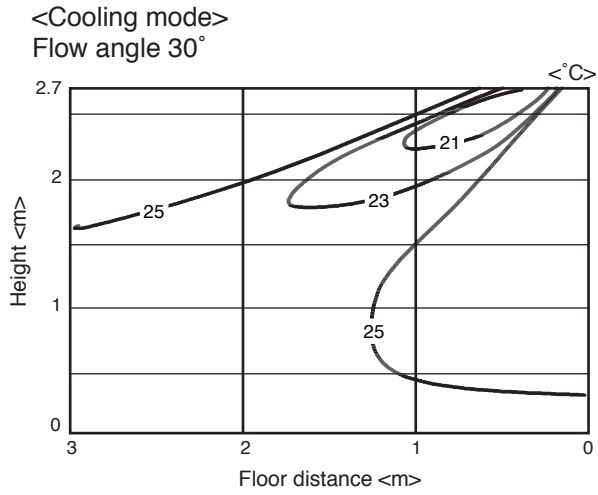
#### LED on indoor board for service

Mark	Meaning	Function
LED1	Main power supply	Main power supply(Indoor unit:220-240V) power on → lamp is lit
LED2	Power supply for MA-Remote controller	Power supply for MA-Remote controller on → lamp is lit

# 6. Temperature/Airflow distribution

**PLFY-P-VCN-E**

## 6.1 Temperature distribution



## 6.2 Airflow distribution

